

Roof-Mounted Marker Lamps

Contents

Description	Quantity
Marker lightbar assembly	1
Right Hand Clearance lamp assembly	1
Left Hand Clearance lamp assembly	1
Hardware kit	1

Required Tools

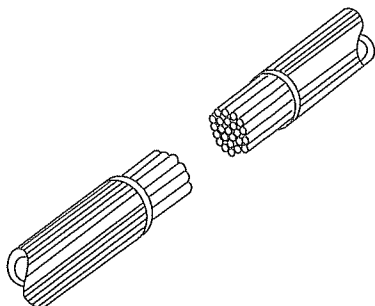
Flat head screwdriver
Phillips screwdriver (approx. 3" length)
½" Open End wrench
T-25 Torx Driver (6-lobe)
T-20 Torx Driver
Electrical tape
Wire crimpers (Delphi Packard tool #12085115)
Tape
GM Super Lube with PTFE (part number 12371287)
Drill with 2mm, 6mm, ½" drill bits
5/16" Box wrench
Heat gun or mini torch
Wire strippers
Wire cutters
Utility Knife
Trip punch or Center Punch
2" Hole Saw

Installation Instructions

Splice Procedure

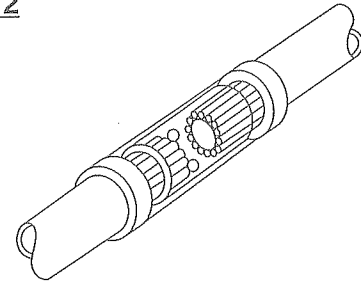
- Strip about 3/8" of insulation from the ends of the two wires to be spliced.

FIGURE 1



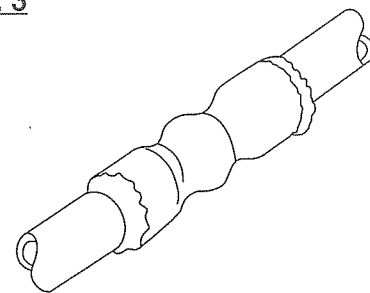
- Insert stripped wires into the splice sleeve provided until they reach the wire stop located at the center of the sleeve.

FIGURE 2



- Crimp the splice sleeve on each end.
- Using a heat gun, apply heat to the splice sleeve. As the sleeve shrinks, the glue inside will begin to melt. When the sleeve stops shrinking and glue appears at the ends of the sleeve, remove heat. Allow to cool.

FIGURE 3

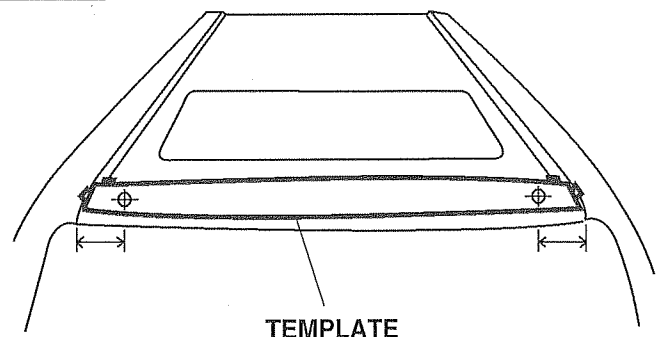


Marker Lightbar

- Remove ground terminal of battery.
- Ensure vehicle is in park transmission position.
- Apply park brake.
- Center the template provided on the roof between the two A-pillars. Position the template so that the front edge rests against rear edge of the windshield reveal molding. Tape in place.

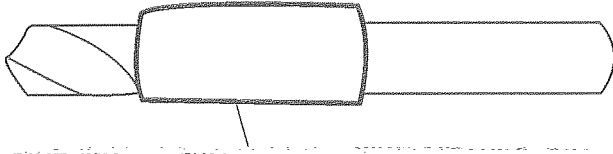
IMPORTANT: Measure the distance from the A-pillar trim to the center of the nearest hole. Ensure this is the same on both sides. Adjust template, if necessary.

FIGURE 4



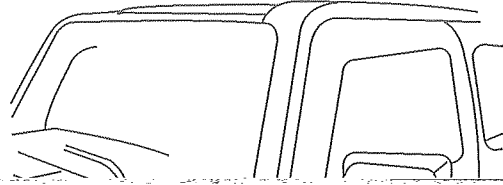
5. Mark 6 hole locations with trip punch or center punch. Position lightbar on roof to ensure holes in lightbar line up with center points that were punched.
6. Before drilling, add several wraps of tape around end of drill bit to prevent penetrating through roof.

FIGURE 5



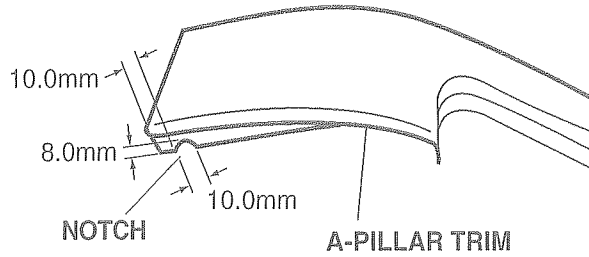
14. Remove air inlet covers on both driver and passenger sides by gently pulling upward to release clips.

FIGURE 7



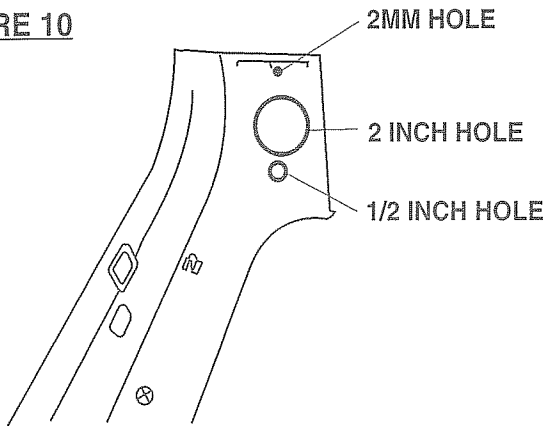
17. Using snips, clip notch in both A-pillars as shown for wire pass-through. See figure 9.

FIGURE 9



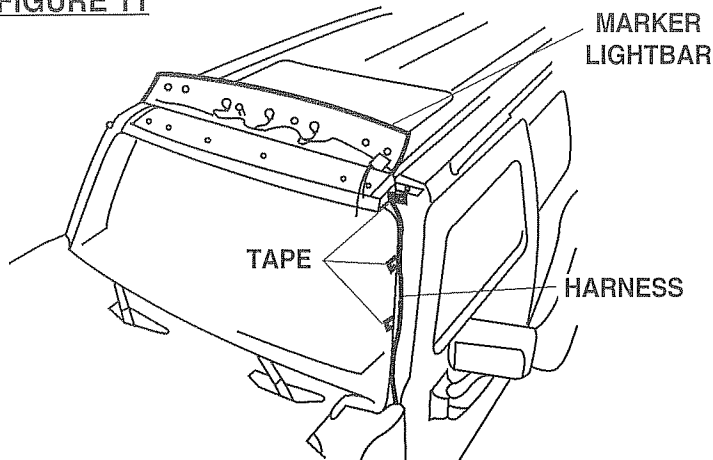
18. Drill 3 holes in both A-pillar trim pieces for clearance lamp installation. On back side of A-pillar trim, locate the 3 circles and center points which are molded into the trim. Using a 2mm drillbit, pre-drill all 3 holes. Using a 2" hole saw, drill the middle hole. Using a 1/2" drillbit, drill the forward hole.

FIGURE 10



19. Place lightbar and harness assembly upside down on the roof. Route harness down driver's side A-pillar, placing it near windshield glass interface to A-pillar. Spot tape in 3 places per figure 11. Ensure harness lies flat and does not interfere with snap locations for A-pillar trim.

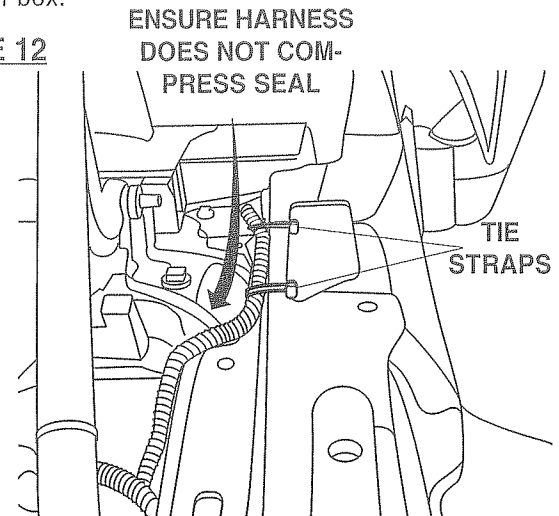
FIGURE 11



20. Ensure that conduit is covering the portion of harness that will be visible when A-pillar trimplate is reinstalled. Route harness over the fender flange as shown in figure 12. Secure with 2 tie straps included in kit.

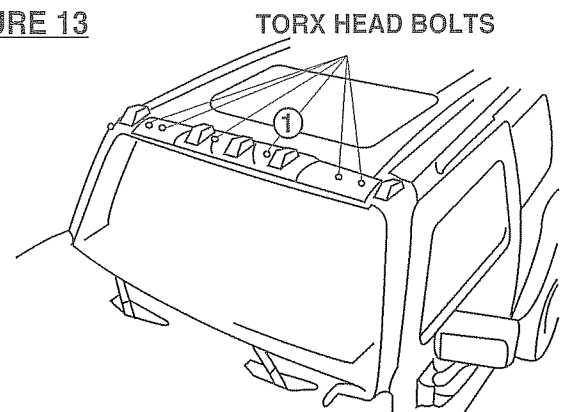
21. **IMPORTANT:** Ensure harness does not compress the rubber seal. Also, keep harness clear of the snap hole for the air box.

FIGURE 12



22. Rotate lightbar to correct orientation. Position front edge of lightbar approximately 1/8" (3mm) rearward from front edge of windshield reveal molding. Using 6 fasteners provided, and T-25 Torx driver, install the lightbar to the roof. Ensure wiring is not trapped beneath fasteners. Begin by starting the screw in position 1 (figure 13). Start the remaining 5 screws. Adjust the position of the lightbar by pushing it left or right to center it between the A-pillars. Push lightbar rearward tight against windshield reveal molding. When torquing to 30 in.lb. (4.5Nm), maintain parallel gap to windshield reveal molding and luggage rack siderails. Ensure lightbar is centered between A-pillars. Adjust, if necessary.

FIGURE 13

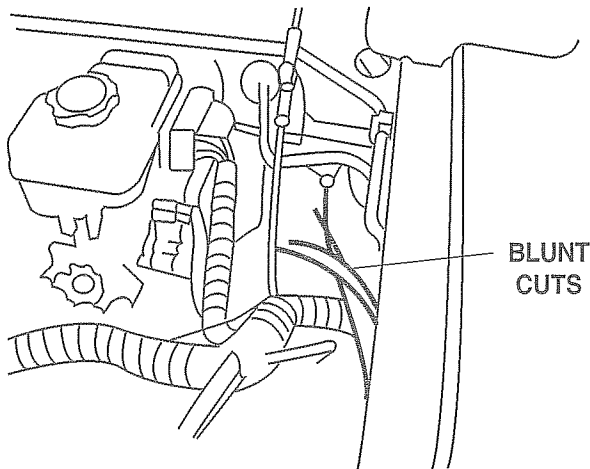


23. Install 6 fastener covers by aligning tab to driver's side and gently pressing in place.

24. Mount clearance lamps to A-pillars by sliding hook at front edge into 1/2" hole. Secure rear edge with T-20 torx driver and screw provided. Ensure left hand lamp is on driver's side A-pillar and right hand lamp is on passenger side A-pillar. Plug in bulb and socket on clearance lamps by pressing in and turning 1/4 turn clockwise.

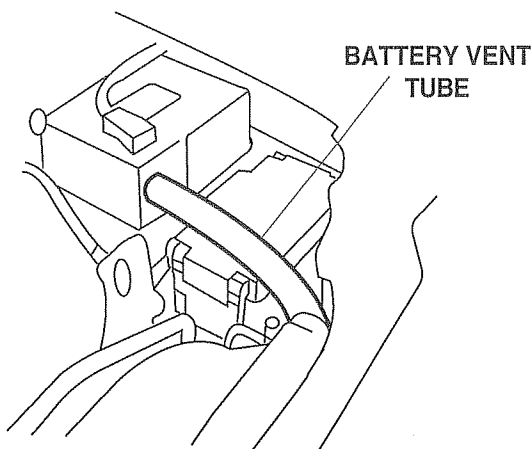
25. Reinstall the A-pillar trim on both driver and passenger sides by hooking rear edge under tab at luggage rack siderail and pressing clips into place. Replace 2 screws behind weatherstrip. Reposition weatherstrip. Review figure 8 if necessary.
26. Locate 6 blunt cuts in the engine compartment behind the driver's side wheel well per figure 14. The engine compartment blunt cuts have seals on them that must be removed prior to using the splice sleeve. Carefully remove some of the seal on the appropriate wire using a utility knife. Using the splice sleeve provided and the procedure on page 1, splice the black blunt cut wire to the black wire in the harness. Replace conduit over splice. Tape in position.

FIGURE 14



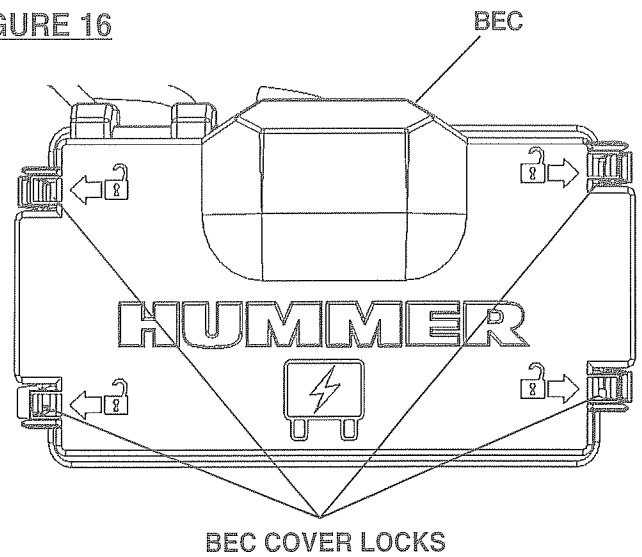
27. Remove battery vent tube to access BEC (Bussed Electrical Center) as shown.

FIGURE 15



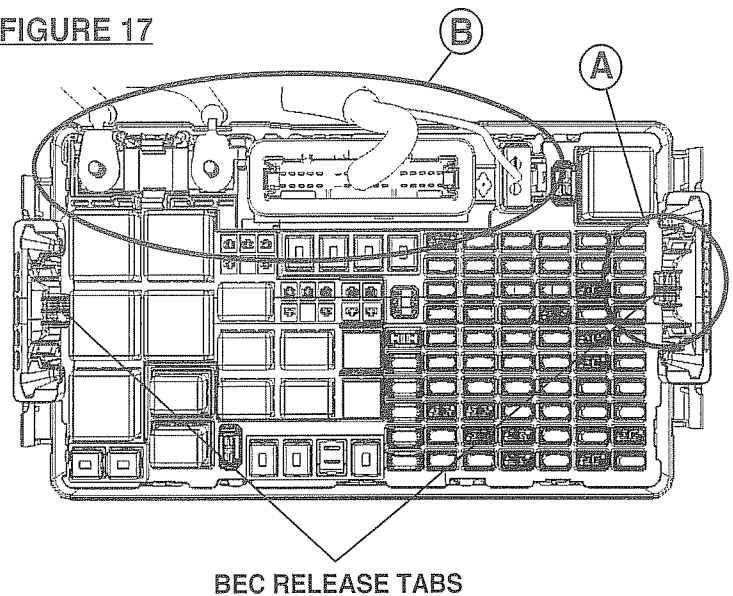
28. Release BEC cover by depressing 4 locks on both sides of cover.

FIGURE 16

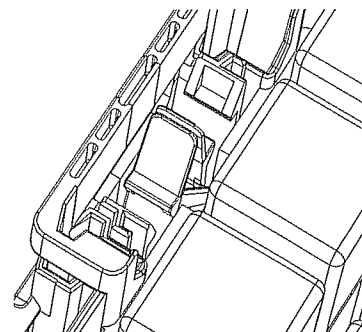


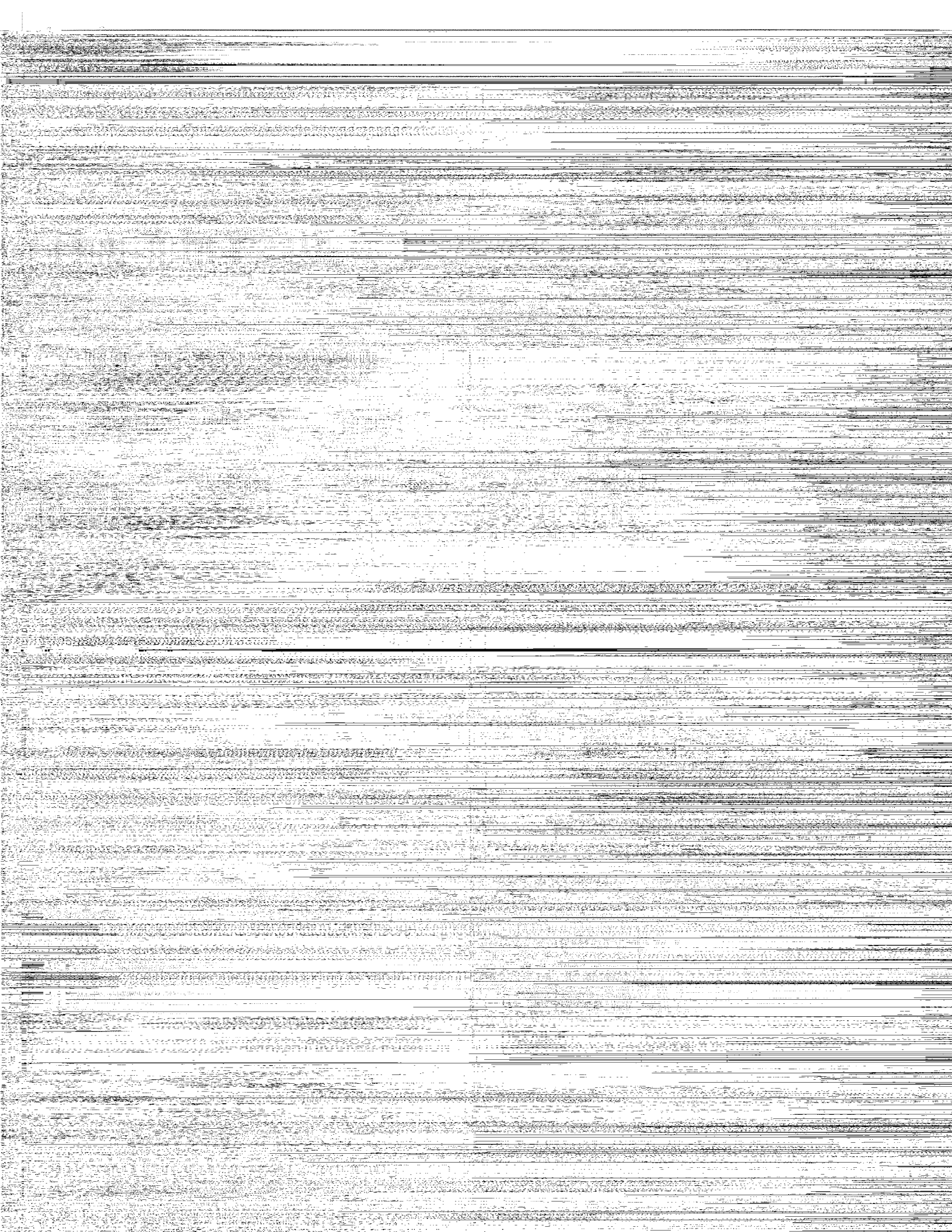
29. Next, press in release tabs on right and left sides of the BEC, as shown in Detail A.

FIGURE 17



DETAIL A





Attention dealers: Please provide this page to the customer.

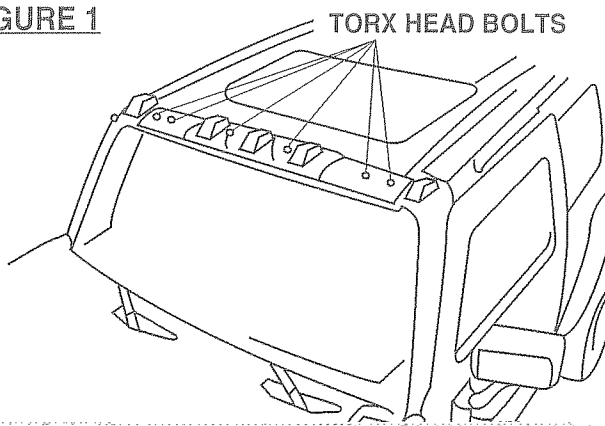
Customers: Please keep this page with your owner's manual.

Light bulb replacement procedure: (for 3 center bulbs)

Replace bulbs with a trade number 194 bulb.

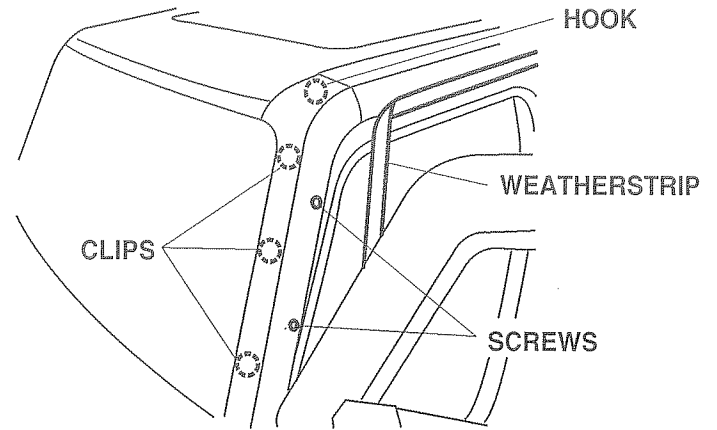
1. Remove 6 fastener covers by inserting a flat-head screwdriver into the slot on the passenger's side of each cover and gently lifting up.
2. Using a T-25 torx driver, loosen the 6 bolts under the fastener covers, per figure 1, and remove.

FIGURE 1



2. Open door. Remove A-pillar trim by first peeling back the weatherstrip to expose 2 screws. Using a Phillips head screwdriver, remove the screws.

FIGURE 3



3. Pull up on lower end of A-pillar trim to unsnap clips. Unhook the A-pillars from the front end of the luggage rack/siderail.
4. Remove bulb socket from lamp assembly by rotating 1/4 turn counterclockwise.